

# @ANY900 USB Dongles

A plug-and-play USB-hosted gateway to enable IEEE 802.15.4-based Sub-1 GHz wireless network. A versatile dongle can also serve as a regular node or a network sniffer. Supported by the commercially maintained driver suites, the robust USB dongle design allows seamless OS integration. @ANY900 modules provide stable operation for various Sub-1 GHz bands.

Based on the @ANY900 modules, the host-powered @ANY900 USB dongles are reliable gateway solutions that come in a compact sized form factor. Optimal RF characteristics are achieved using on-chip ceramic antenna (@ANY900-1) or U.FL connector (@ANY900-2) option providing maximum flexibility of external antenna adaptations. The on-board UART chip allows for easy setup of a serial connection via USB interface. Supported with off-the-shelf drivers by the commercially maintained FTDI Driver Suite, the USB 2.0 compliant interface ensures a seamless integration to various operating systems.

Combined with Peryton S analyzer software, the dongle can serve as a single channel protocol analyzer. Firmware upgrades are performed via on-board bootloader or integrated JTAG interface.

Ensure quick setup by ordering the product preprogrammed with either our AT-command-based Smart MAC Suite firmware, your own firmware, or common stacks such as 6LoWPAN, Zigbee PRO or Lightweight Mesh.



Mechanical module size 80 x 17 x 5 mm

## Key Features

- USB 2.0 compliant IEEE 802.15.4-2006 based hardware platform within compact USB dongle format
- Software adjustable support of European, US, Japanese, and Chinese Sub-1 GHz ISM bands
- Commercially maintained FTDI Driver Suite ensures a seamless OS integration and support
- Outdoor range (line of sight):  $\leq 250$  m (@ANY900-1 USB Dongle) and  $\leq 2.5$  km (@ANY900-2 USB Dongle)
- Network topology:
  - P2P, P2MP, Star, Tree, Mesh (IEEE802.15.4 and Zigbee PRO)
- Extra 256 kB on-board DataFlash for storing firmware images, application data and OTAU support
- Data rate:  $\leq 1$  Mbps, e.g. Zigbee: 250 kbps gross
- Upgradeable via on-board bootloader or integrated JTAG interface

## Benefits

- ✓ Self-contained, host-powered infrastructure solution to accelerate bring up, testing, monitoring and controlling of your IEEE 802.15.4 based wireless network
- ✓ Easy development with ready-to-use AT-command-based Smart MAC Suite firmware, app examples, Development Kits and full technical support
- ✓ Full EN300220, FCC CFR Part 15, RoHS and REACH compliance
- ✓ USB connectivity is in line with maintained commercial driver suite by FTDI to ensure seamless infrastructure bring up and customization
- ✓ Simple data exchange via human readable console output is available to speed-up the system design
- ✓ Best-in-class range and excellent wall penetration for indoor usage
- ✓ Easy firmware management using off-the-shelf tools and JTAG interface, including OTAU or serial flashing via bootloader
- ✓ Can be used as a single channel protocol analyzer for 802.15.4 Sub-1-GHz based networks utilizing Peryton S analyzer software

## Applications



Smart Buildings



Smart Energy & Metering



Industrial Automation



Healthcare & Fitness



Retail



Agriculture



Automotive & Transport



Smart Cities & Environment



Event Management

# Specifications

## RF Characteristics

<b>Max. Transceiver Output Power</b>	≤ 2.0 dBm EIRP for @ ANY900-1 (with ceramic chip antenna optimized 868/915MHz) ≤ 10 dBm for @ANY900-2 (U.FL antenna connector)
<b>Receiver Sensitivity (per 1%)</b>	≤ -110 dBm
<b>Data Rate</b>	≤ 1 Mbps (proprietary), e.g. 250 kbps @ Zigbee
<b>Frequency</b>	European SRD band (868 MHz), North American ISM band (915 MHz), Japanese band (928 MHz), Chinese WPAN band (780 MHz)
<b>Data Encryption</b>	AES 128 supported
<b>Modulation</b>	O-QPSK (IEEE 802.15.4 compliant), BPSK
<b>Applicable Network Topologies</b>	P2P, P2MP, Tree, Star, Mesh and other IEEE 802.15.4 based topologies

## Hardware Characteristics

<b>Operating Temperature Range</b>	-40°C to +85°C
<b>Platform</b>	ATmega1281V AT86RF212B
<b>On-Chip Flash</b>	128 kB
<b>On-Board DataFlash</b>	256 kB
<b>On-Chip RAM</b>	8 kB
<b>On-Chip EEPROM</b>	4 kB
<b>Interfaces</b>	JTAG, USB 2.0

## Extensions

<b>USB Interface</b>	FT234 USB
<b>Optical Elements</b>	Status LED (programmable)
<b>Connectivity</b>	USB Type-A plug

## Electrical Characteristics

<b>Voltage</b>	5.0 V USB-powered
----------------	-------------------

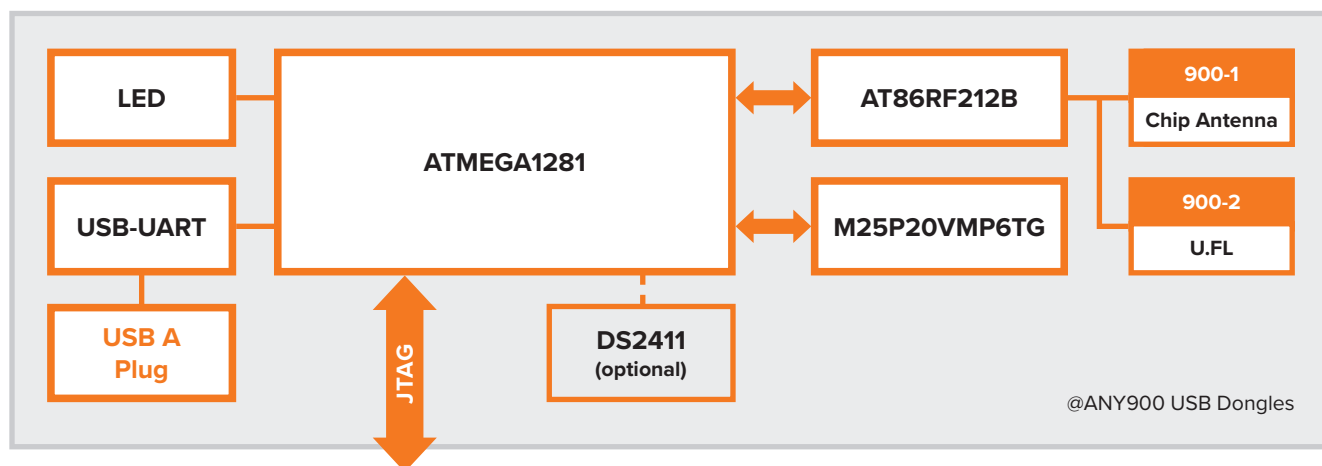
## Certification

<b>Radio Compliance</b>	EN300220, FCC CFR Part 15
<b>Manufacturing</b>	RoHS & REACH

## Ordering Information

<b>Order Number</b>	ANY900-1 USB Dongle
	ANY900-2 USB Dongle
	ANY900-USB Enclosure Pack (white enclosure and cap)

## Block Diagram



## Further Information

For additional information or support, see [www.an-solutions.de](http://www.an-solutions.de) or contact us at [support@an-solutions.de](mailto:support@an-solutions.de).  
For more product details and ordering information, see the product data sheet.

